

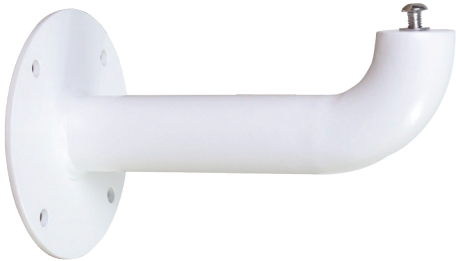
Rosco Wall Mount

The Rosco Wall Mount allows for mounting Rosco Projectors and Rosco Cubes to interior or exterior vertical surfaces.

KEY FEATURES

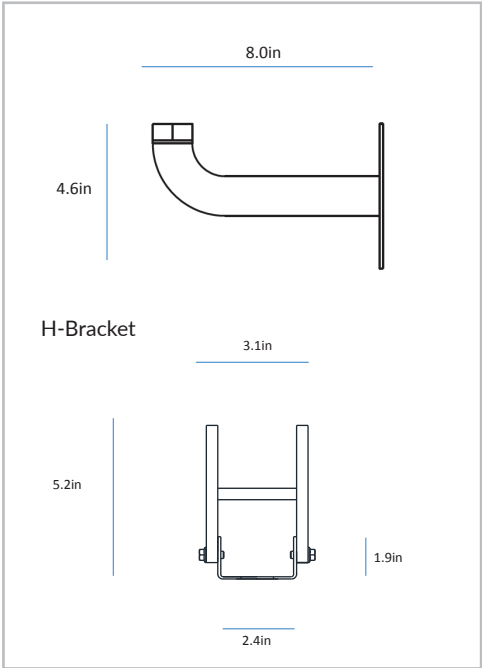
- Powder coated stainless-steel hardware allows for exterior use under even the harshest of conditions.
- 1-3/5" (42mm) diameter tubing provides room for power cord to maintain a clean look.
- Compatible with all Rosco Projectors* and Rosco Cube products.
- Only requires four stainless-steel bolts for easy installation in a variety of vertical surfaces (not included)

*H-Bracket Mount recommended for Image Spot (sold separately)



SPECIFICATIONS

Application:	Rosco Projectors and Cubes, interior and exterior installations
Dimensions:	8.5" (216mm) overall length 8" (203mm) from pole to mount head 1.5" (42mm) diameter round tubing
Hole Diameter:	.375" (9.5mm)
Material:	Powder coated steel
Maximum Recommended Load:	23 lbs. (10.4kg)



Rosco Wall Mount	
Item Code	Description
296000005104	Rosco Wall Mount accessory, black
296000005105	Rosco Wall Mount accessory, white
296000005108	Rosco H-Bracket, black (for Image Spot)
296000005109	Rosco H-Bracket, white (for Image Spot)