

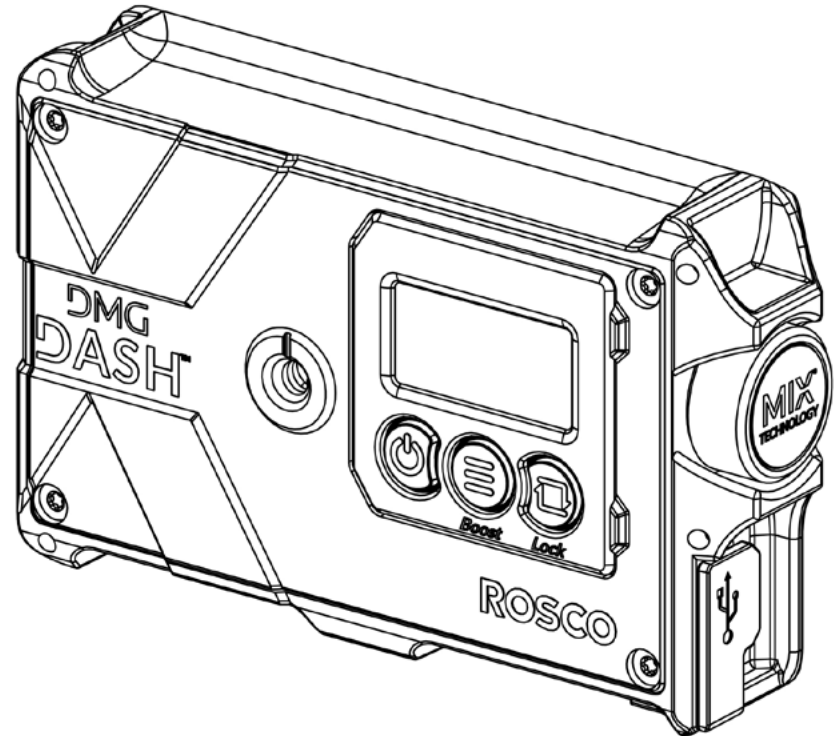
# DMG DASH™

## WHAT IS DASH?

DMG DASH is the smallest member of Rosco's MIX® Family of LED lights. It features the same six-chip, MIX LED technology found inside every MIX fixture. The compact design of DMG DASH provides filmmakers with powerful, high quality light output and precise color control from a durable, handheld light. Each DMG DASH Pocket LED Kit ships with mounting accessories and a complete set of magnetized beam shaping accessories inside a durable carrying case.

## PRODUCT FEATURES

- Superior color-mixing
- Fully accessorized
- Multiple control options
- Pocket-sized but powerful
- Available in a 4-unit Quad Kit
- Weatherproof & durable
- A Wireless DMX model featuring LumenRadio CRMX



**TABLE OF CONTENTS**

WHAT'S IN THE KIT.....	3	OPERATING MODES.....	11-12
SAFETY & PRECAUTIONS .....	4	BOOST MODE .....	13
CERTIFICATIONS .....	4	CRMX MENU & DMX PROFILES .....	13-14
DMG DASH DATA SHEET .....	5	DMG DASH & ACCESSORIES PHOTOMETRICS .....	15
CHARGE MANAGEMENT.....	6	myMIX® MOBILE APP .....	17-21
POWERING AND CHARGING THE DASH .....	7	DMG DASH LINK ASSEMBLY .....	22
DASH USER INTERFACE.....	8	FIRMWARE UPDATE.....	23
OVERVIEW OF THE USER INTERFACE.....	9	2-YEAR WARRANTY.....	24
MAIN MENU & SETTINGS.....	10		

**UV WARNING on DASH and Diffusion Accessories: DASH light, Standard Diffuser, Dome and DOT**

The optical parts of the DASH light and accessories are UV stabilized. For maximum longevity and light consistency, we recommend as much as possible to avoid UV exposure (sunlight or UV source). The product and its accessories should be stored in their respective bags during storage.

DMG DASH USER MANUAL V2.7

WHAT'S IN THE KIT



**DMG DASH POCKET LED KIT**

- DMG DASH LED Fixture
- Case
- USB-C Charging Cable
- Flat Diffuser
- Dome
- Eggcrate
- Gel Holder
- Light Stand Mount
- Magnetic Mount
- Quick Start Guide



**DMG DASH QUAD KIT**

- (4) DMG DASH LED Fixtures
- (4) Cases
- (4) USB-C Charging Cables
- (4) Flat Diffusers
- (4) Domes
- (4) Eggcrates
- (4) Gel Holders
- (4) Light Stand Mounts
- (4) Magnetic Mounts
- DMG DASH LINK
- Quad Kit Soft Carrying Case
- Quick Start Guide



**DMG DASH OCTA KIT**

- (1) Rolling, Hard-Shelled Charging Case With Power Portal
- (8) CRMX Fixtures
- (8) Flat Diffusers
- (8) Domes
- (8) Eggcrates
- (8) Gel Holders
- (8) Light Stand Mounts
- (8) Magnet Mounts
- (2) LINK4 Mounting Adapters
- (8) USB-A - USB-C Charging Cables
- (1) AC Power Cord
- (1) USB-A - USB-B Firmware Update Cable

## SAFETY & PRECAUTIONS

### General precautions

This product is designed for professional lighting technicians. It is not intended for household use.

### Risk of electric shock and fire

Do not open the product. There are no user-serviceable parts inside. Contact Rosco for after sales and repair services.

The DMG DASH has 3 mounting points and should only be used with mounting accessories that have a ¼"-20 male thread with a maximum length of ¼" (7mm). The improper use of third-party accessories will invalidate the DMG DASH warranty.

### Overheating

Do not operate the product if the ambient temperature exceeds 104°F/40°C, or 77°F/25°C in Boost Mode.

Intensive use can cause the surface of the fixture to become hot. Allow the product to cool down completely before handling or storage.

- Should the DMG DASH overheat, the fixture will power off. It can be powered on again once the unit has sufficiently cooled down.
- Operating the DMG DASH from the battery generates more heat than when the fixture is connected to a power source via the charging cable. If the fixture needs to perform in a demanding environment where overheating may be possible, operating the DMG DASH via the charger is advised to reduce the heat and prevent triggering the thermal protection sensors.

Please Note: the DMG DASH light fixture, Flat Diffuser, Dome and DOT Round Diffuser are UV stabilized. For maximum longevity and light consistency, however, we recommend limiting the UV exposure (sunlight and/or other UV source) for these items as much as possible. It is recommended that these products be stored in their respective cases or bags during storage.

## CERTIFICATIONS

EMC Directive - 2014/30/EU	EN 55015:2013+A1:2015 EN 61547:2009 EN IEC 61000-3-2:2019 EN 61000-3-3:2013+A1:2019
Low Voltage Directive - 2014/35/EU	EN 62368-1:2014+A11:2017
Radio Equipment Directive 2014/53/EU	ETSI EN 300 328 V2.2.2 (2019-07) ETSI EN 301 489-1 V2.2.3 (2019-11) ETSI EN 301 489-17 V3.2.2 (2019-12) EN 62479:2010 EN 62368-1:2014+A11: 2017
Luminaires - Part 1	EN60598-1
Lamp controlgear - Part 2-11: Particular requirements for miscellaneous electronic circuits used with luminaires	61347-2-11
International Protection rate	IP65
Safety requirements for portable sealed secondary cells, and for batteries made from them, for use in portable applications (Lithium battery)	IEC62133
Transport of dangerous goods (Lithium battery)	UN38.3
Transport of dangerous goods (Lithium battery)	1.2 meter drop test
Transport of dangerous goods (Lithium battery)	Certification for Safe Transport of Chemical Goods(CSTCG)

## DMG DASH DATA SHEET

Size: 5"x 3.1"x 1.1" (12.8cm x 8cm x 2.8cm)

Weight: 12.8 oz. (367g)

Max. Power: 10W

Max. Output: 500 lumens

Number of LEDs: 99 emitters

LED colors: Red, Green, Blue, Lime, Amber, White (4000K)

Lux @ 1m (3.3 ft.): 250 Lux @ 6500K

Lux @ 1m (3.3 ft.) Boost Mode: 320 Lux @ 6500K

Color Temperature: 1700K - 10,000K

Color Rendering Index: CRI Average > 95 TLCI Average > 90

Light Modes (Featuring MIX® Technology): WHITE/GEL (with True Rosco Color™ Gel Matches)/COLOR - HSI & XY (with Rec 709 & Rec 2020 overlays)/EFFECTS/SOURCE MATCH

Flicker free: up to 1,000 FPS

On-Board Control: Local UI: 1.3" OLED Graphical Display - 128px x 64px

Wireless Control: Bluetooth BLE via the myMIX® Mobile App - Available for iOS / Android

Wireless DMX (CRMX model only): LumenRadio with CRMX and W-DMX control, plus RDM

Battery Specifications: 6000mAh/3.7v

Battery Runtime: 3h at 100% intensity (less in boost mode)

Charging Connector: USB type C (Cable included in the Kit)

Recommended Charger: Fast charge 3-Amp (minimum 2-Amp)

Charging Voltage: 5 VDC

Body Material: Aluminum Alloy

Outdoor Rating: Weather resistant - IP65

Cooling Mode: Passive - free air convection

Operating Temperature: 0-104°F/0-40°C

Charging Temperature: 50-113°F/10-45°C

Mounting Accessories (included in Kit): Light Stand Mount, Magnetic Mount

Beam Shaping Accessories (included in Kit): Flat Diffuser, Dome Diffuser, Eggcrate, Gel Holder

### OCTA CASE SPECIFICATIONS:

Size: 530mm x 410mm x 230mm / 20.9in x 16.1in x 9.1in

Weight (Full): 12.7kg / 28.0lbs

Input Voltage: 20 VDC 6 A

Charging Amperage: 2.5 Amps

## CHARGE MANAGEMENT

There are two important factors to ensure proper and efficient charging for DMG DASH - using the proper cable and the proper charger.

### USB-C CABLE SPECIFICATIONS

The cable included with the DMG DASH is rated for 3A. Cable quality is important to ensure proper voltage is provided to the fixture and the battery. Not all the USB cables are rated for 3A. Make sure any replacement cables used with DMG DASH are rated for 3A.

Voltage drop is proportional to the length of the cable. Use the shortest cable possible to ensure best performance. Using multiple cables in series will also reduce performance.

### CHARGER SPECIFICATIONS

A charger with a 2A minimum is necessary for charging/operating DMG DASH. For faster results, a 3A (aka “Fast-Charge”) charger can be used. Below are links for popular mobile-device chargers.

[CLICK HERE FOR APPLE POWER ADAPTER LISTING](#)

[CLICK HERE FOR SAMSUNG ADAPTERS LISTING](#)

### POWERBANK SPECIFICATIONS

A powerbank featuring 3A output via USB-C is recommended. However, most powerbanks manufactured after 2019 feature 2.4A output via USB-A or higher, which will also work to operate/charge DMG DASH.

### POWER DELIVERY (PD)

Most Power Delivery enabled device feature a 5V 3A default output via USB type-c, you will need to find an appropriate USB type-c to type-c cable that can carry the 3A.

### CHARGING SPEEDS

Charger Amperage	Charging Time
2A	3 hours 15 minutes
3A	2 hours 45 minutes

## POWERING AND CHARGING THE DASH

### BATTERY SPECIFICATIONS

- The DMG DASH battery is a 6000 mAh Lithium-ion battery with high temperature capability. This means the battery will provide 2A of power per hour for up to three hours when at maximum output, and that it can function up to a maximum temperature of 176°F/80°C.
- The DMG DASH has two thermal protection sensors to protect the electronics and the battery against overheating.
- The battery is also equipped with protection against short voltage.

NOTE: The DMG DASH battery can be replaced once performance is no longer acceptable. It is a custom battery designed with high temperature requirements for DMG DASH. The battery must be replaced by a Rosco service center.

### CHARGING WHILE OPERATING

- DMG DASH will recharge its battery while operating when connected to a power source via the USB-C cable. The effectiveness and speed of this capability is based on the charge current and maximum power of the charger that the DMG DASH is plugged into.
- Because the current from the charger will be used to both produce light and charge the battery, the lower the intensity the faster the charge will be.
- In order to charge and operate at the same time, the DMG DASH requires a 2A charger (at minimum) to run at 100% intensity. If the fixture is in Boost Mode, a 3A charger is necessary to charge the battery at the same time.

## DASH USER INTERFACE

### 1. POWER BUTTON

**Quick Press:** Blackout when DASH is on – return to previous intensity when pressed again.

**Press & Hold:** Turns the fixture ON and OFF.

### 2. MENU BUTTON

**Quick Press:** Accesses the main menu of the fixture.

**Press & Hold:** Activates Boost Mode. Quick press the menu button to deactivate Boost Mode and return to the main menu.

### 3. NAVIGATION BUTTON

**Quick Press:** Cycles through modes in the main menu and through attributes on an active screen.

**Press & Hold:** Locks and unlocks all buttons and turns screen OFF.

### 4. DIMMING & SELECTION WHEEL

Rotate to dim or scroll through main menu and mode options.  
Press to select.

**Quick Press:** Access quick presets.

### 5. USB-C CHARGING PORT

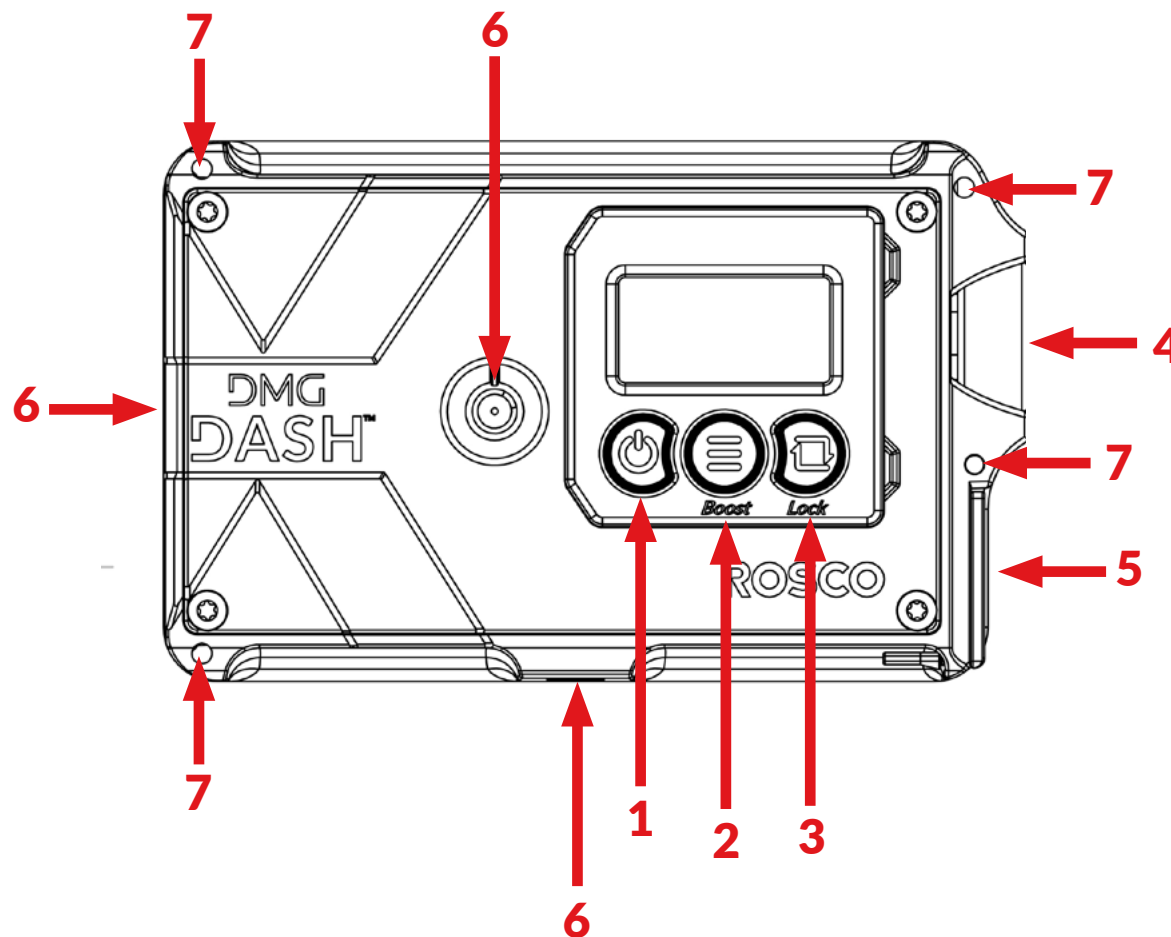
### 6. MOUNTING POINTS

DMG DASH has three ¼ - 20 mounting points.

**Warning:** Maximum screw length 1/4" (7mm)

### 7. SECURITY MOUNTING POINTS

DMG DASH has four mounting points for safety cables.





OVERVIEW OF THE USER INTERFACE

1. INTENSITY ATTRIBUTE

2. CCT (COLOR TEMPERATURE) ATTRIBUTE

3. SATURATION ATTRIBUTE

4. HUE ATTRIBUTE

Use the Navigation Button to cycle through the four attributes and press the Dimmer & Selection Wheel to select.

Rotate the Dimming & Selection Wheel to change the value of the highlighted attribute - or press the Dimming & Selection Wheel to select from any available presets for the selected attribute.

5. CURRENT MODE INDICATOR

6. BLUETOOTH® INDICATOR

Indicates Bluetooth is activated.

7. MYMIX® INDICATOR

Indicates DMG DASH is connected to the myMIX app.

8. CHARGING INDICATOR

Charging in progress.

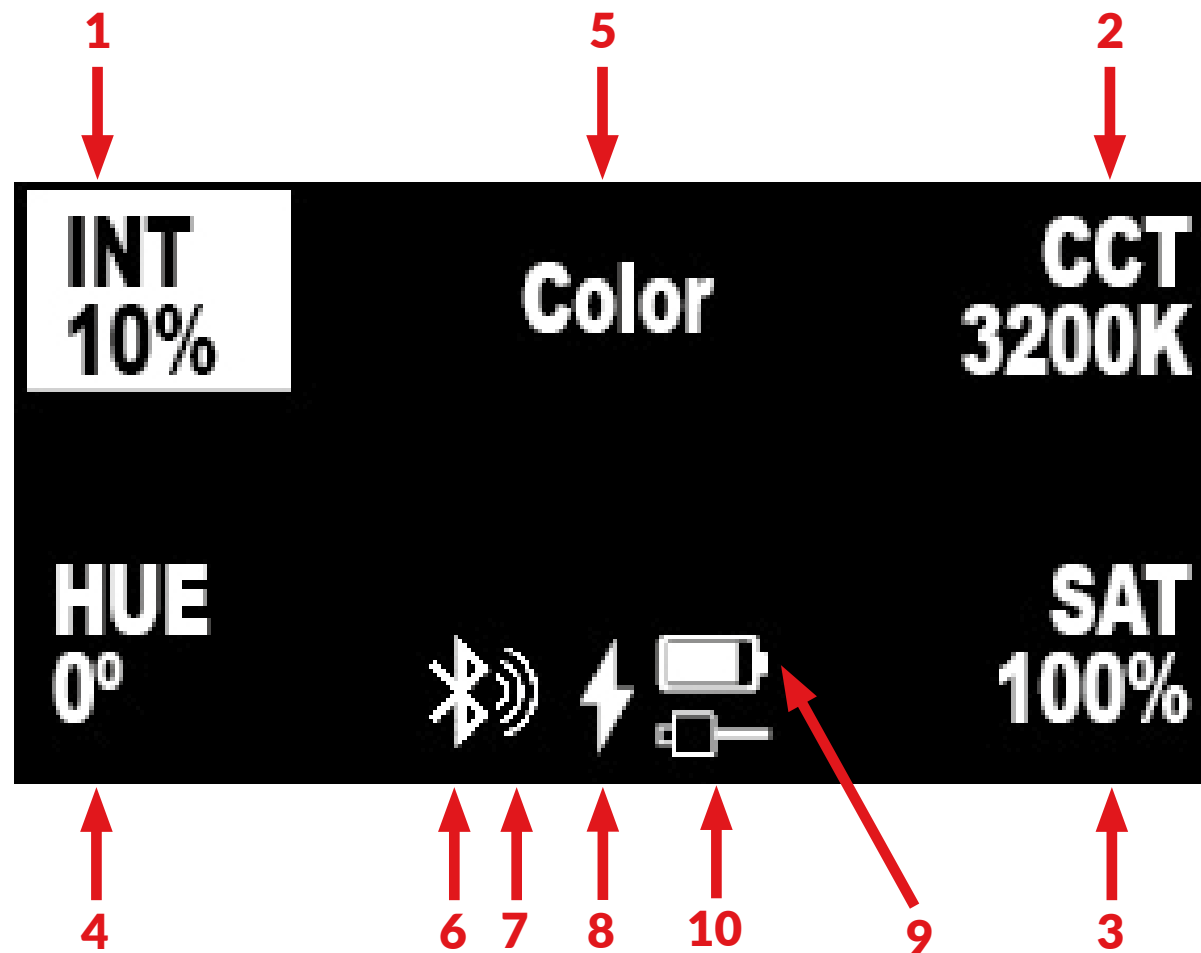
9. BATTERY INDICATOR

Displays the current charge-level of the battery.

10. EXTERNAL POWER SOURCE INDICATOR

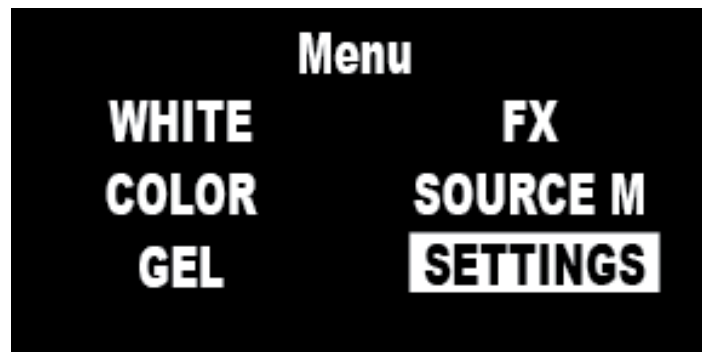
Indicated DMG DASH is connected to an external power source via USB-C.

ACTIVE SCREEN



MAIN MENU & SETTINGS

MAIN MENU



From the Active Screen, press the Menu Button to access the Main Menu.

Press the Navigation Button or rotate the Dimming & Selection Wheel to cycle through the DMG DASH Modes or to access the fixture's Settings. Press the Dimming & Selection Wheel to select.

SETTINGS



The Settings screen provides status information about the DMG DASH, including the serial number of the unit and the fixture's current operating temperature.

BLUETOOTH

Press the Navigation Button or rotate the Dimming & Selection Wheel to highlight the Bluetooth option, then press the Dimming & Selection Wheel to toggle the Bluetooth on and off.

RESET

Press the Navigation Button or rotate the Dimming & Selection Wheel to highlight the Reset option. Then press the Dimming & Selection Wheel to return the fixture to its factory default settings.-

OPERATING MODES

WHITE MODE



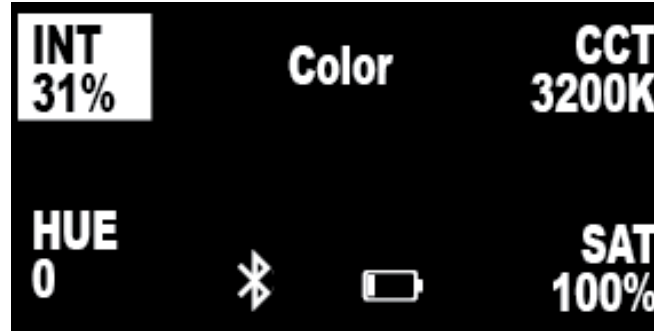
In this Mode, the DMG DASH will create white light. Use the Navigation Button to select an attribute to modify.

**INT:** Rotate the Dimming & Selection Wheel to raise or lower the intensity of the fixture by 1% increments. Press the Dimming & Selection Wheel to scroll through presets: 25% | 50% | 75% | 100%

**CCT:** Rotate the Dimming & Selection Wheel to raise or lower the color temperature by 50°K increments. Press the Dimming & Selection Wheel to scroll through presets: 1700K | 2850K | 3200K | 4000K | 5600K | 6500K | 7500K | 10,000K

**M/G:** Rotate the Dimming & Selection Wheel to raise or lower the magenta and green levels (100G - 100M). Press the Dimming & Selection Wheel to scroll through presets: 0 | 13G | 25G | 50G | 75G | 100G | 100 M | 75M | 50M | 25M | 13M | 0

COLOR MODE: HSI



Color Mode is for creating custom colors using HSI (Hue, Saturation and Intensity). Use the Navigation Button to select an attribute to modify.

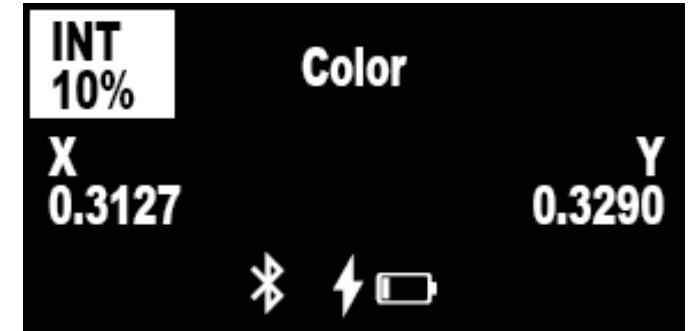
**INT:** Rotate the Dimming & Selection Wheel to raise or lower the intensity by 1% increments. Press the Dimming & Selection Wheel to scroll through presets: 25% | 50% | 75% | 100%

**CCT:** Rotate the Dimming & Selection Wheel to raise or lower the color temperature by 50°K increments. Press the Dimming & Selection Wheel to scroll through presets: 1700K | 2850K | 3200K | 4000K | 5600K | 6500K | 7500K | 10,000K

**SAT:** Rotate the Dimming & Selection Wheel to raise or lower the saturation level of the color by 1% increments. Press the Dimming & Selection Wheel to scroll through presets: 0% | 25% | 50% | 75% | 100%

**HUE:** Rotate the Dimming & Selection Wheel to modify the hue of the color by 1% increments (0-360°). Press the Dimming & Selection Wheel to scroll through presets: 0° | 60° | 120° | 180° | 240° | 300° | 0°

COLOR MODE: xy



Color mixing via CIE 1931 xy is available via the myMIX app. This function is not available via the onboard interface, however, the xy settings chosen via the app will appear on the Active Screen while being controlled via the app.

OPERATING MODES

GEL MODE



Use this mode to select any of the True Rosco Color™ gel matches, or any saved colors available in the fixture's MIX® library. Use the Navigation Button to select an attribute to modify.

**Gel Colors:** Rotate the Dimming & Selection Wheel to scroll through the available Roscolux® and e-colour+™ gel colors. Press the Dimming & Selection Wheel to enter the gel list menu. The gel list menu can be sorted by number, color or name by pressing the Navigation Button.

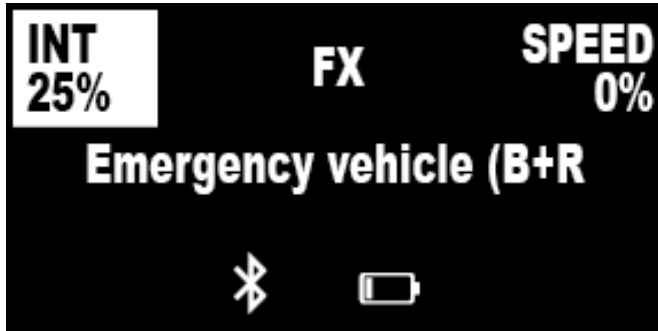
**INT:** Rotate the Dimming & Selection Wheel to raise or lower the intensity of the fixture by 1% increments. Press the Dimming & Selection Wheel to scroll through presets: 25% | 50% | 75% | 100%

**CCT:** Rotate the Dimming & Selection Wheel to choose the color temperature: 3200K or 5600K

**SAT:** Press or rotate the Dimming & Selection Wheel to raise or lower the saturation level of the gel color: 0 | +10 | +20 | 20 | -10

**HUE:** Press or rotate the Dimming & Selection Wheel to modify the hue of the gel color: 0 | +5 | +10 | -10 | -5 | 0

EFFECTS MODE



DMG DASH can create a variety of common lighting effects. Use the Navigation Button to select an attribute to modify.

**Effects:** Rotate the Dimming & Selection Wheel to scroll through the available effects: Emergency Vehicle | Paparazzi | TV Screen | Firelight | Disco

Press the Dimming & Selection Wheel to scroll through the available Emergency Vehicle Effects: Blue | Red | Blue + Red | Blue + White | Red + White

**INT:** Rotate the Dimming & Selection Wheel to raise or lower the intensity of the fixture by 1% increments. Press the Dimming & Selection Wheel to scroll through presets: 25% | 50% | 75% | 100%

**SPEED:** Rotate the Dimming & Selection Wheel to raise or lower the speed of the effect by 1% increments. Press the Dimming & Selection Wheel to scroll through presets: 0 | +50% | +100% | -100% | -50% | 0

SOURCE MATCH MODE

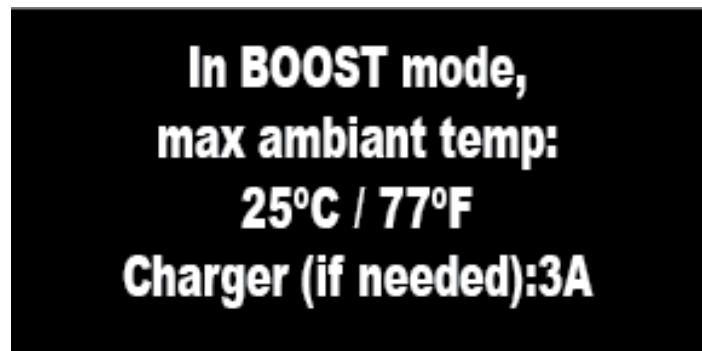


DMG DASH can match several existing filmmaking light sources. Use the Navigation Button to select an attribute to modify.

**SOURCES:** Rotate or press the Dimming & Selection Wheel to scroll through available sources: Green Screen | Blue Screen | Xenon | Candle Flame | Frosty Moonlight | HP Sodium | LP Sodium | Tungsten Domestic | Mercury Vapor | Sodium Vapor

**INT:** Rotate the Dimming & Selection Wheel to raise or lower the intensity of the fixture by 1% increments. Press the Dimming & Selection Wheel to scroll through presets: 25% | 50% | 75% | 100%

**BOOST MODE**



Enter Boost Mode by pressing and holding the Menu Button from the Active Screen.

Boost Mode will increase the light output of the active settings to 125%.

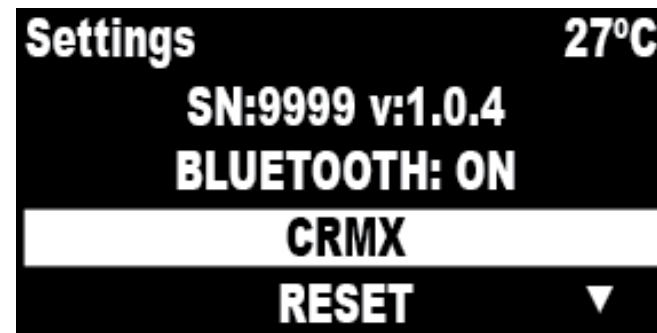
Because Boost Mode consumes more power, battery runtime will be shortened. It is recommended that DMG DASH be connected to a power source via a 3A charger and cable in order to operate fixture in Boost Mode for long periods of time.

Boost Mode generates more heat within the fixture. The recommended maximum ambient temperature for Boost Mode = 77°F/25°C. Should the DMG DASH overheat while in Boost Mode, the fixture will power off. DMG DASH can be powered back on once the unit has sufficiently cooled down.

Press the Menu Button to deactivate Boost Mode and return to the Main Menu.

**CRMX MENU & SETTINGS**

SETTINGS



Press the Navigation Button or rotate the Dimming & Selection Wheel to highlight the CRMX option.

Press the Dimming & Selection Wheel to access the CRMX Menu.

Scroll down using the Dimming & Selection Wheel to go to the Settings 2.

CRMX MENU & SETTINGS (CONT.)

SETTINGS 2



**DMX SMOOTH**

Enables and changes the DMX Smoothing behavior, press the Dimming & Selection Wheel to cycle through the different modes:

Off: No smoothing / No fade time

Low: 0.1sec fade time

Med.: 0.5sec fade time

High: 2sec fade time

Note: These time values are purely indicative, they may vary due to different transmitters being used or if Bluetooth is ON or OFF.

**DIM CURVE**

Changes the Dimming Curve behavior, press the Dimming & Selection Wheel to cycle between Linear and Exponential dimming curve.

CRMX MENU



Use the Navigation Button to select an attribute to modify, then press the Dimming & Selection Wheel to access the desired attribute.

**ON/OFF**

Turns CRMX functionality On and Off.

**CRMX STATUS & UNLINK**

The flashing 0 is the CRMX status LED  
 Rapid flashing: Linking  
 Slow Flashing: Connected to transmitter, no DMX  
 Steady/no blink: Connected to transmitter, receiving DMX  
 To disconnect CRMX, select the top right tab “CRMX UNLINK” and hold the Dimming & Selection Wheel for one second until “UNLINKED” appears.  
 By default, the device will display “UNLINK” when it is connected to a transmitter.  
 The signal bars display the signal strength when connected to a CRMX transmitter.

**RDM : ON/OFF**

Enables and disables the Remote Device Management feature.

**ADDR.**

Use the Dimming & Selection Wheel to select the DMX start address from 1 - 512.

One short press on the Dimming & Selection Wheel will increase the address by the number of channels of the current profile. One long press (1sec.) on the Dimming & Selection Wheel will increase the address by 100.

DMX PROFILES



Use the Dimming & Selection Wheel to select the desired DMX profile.

1:White 8b

2:Color 8b

6:Full 8b

7:Full 16b

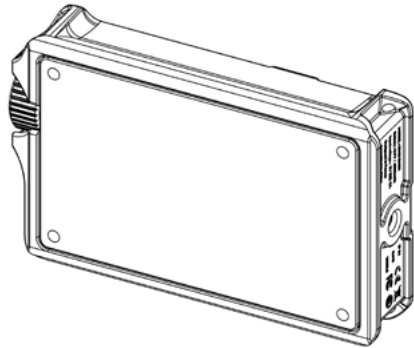
15:Global 8b

16:Global 16b

17:Gel Mode

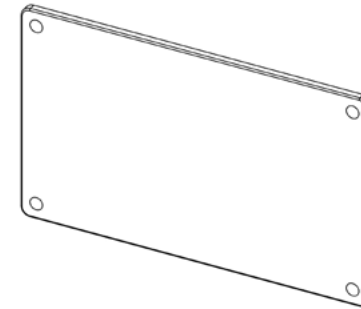
[The full MIX DMX Profile list is available for download on the website.](#)

DMG DASH PHOTOMETRICS - NO ACCESSORY



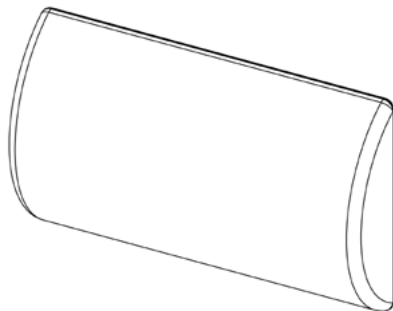
- Output = 220 Lux @ 6500K
- Horizontal FWHM = 128°
- Vertical FWHM = 134°

DMG DASH PHOTOMETRICS - FLAT DIFFUSER



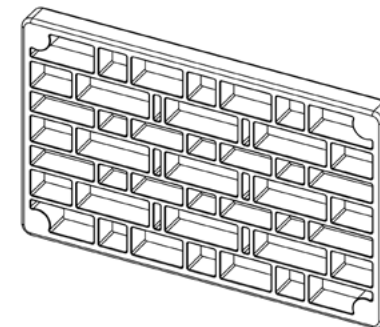
- Output = 170 Lux @6500K
- Transmission Loss = -22.2%
- Horizontal FWHM = 131°
- Vertical FWHM = 131°

DMG DASH PHOTOMETRICS - DOME ACCESSORY



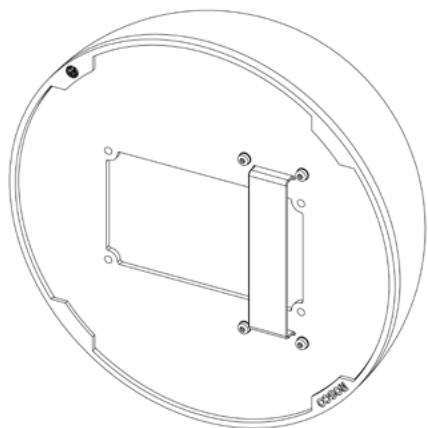
- Output = 135 Lux @6500K
- Transmission Loss = -38.9%
- Horizontal FWHM = 134°
- Vertical FWHM = 148°

DMG DASH PHOTOMETRICS - EGGCRATE



- Output = 212 Lux @6500K
- Transmission Loss = -4%
- Horizontal Cutoff = 110°
- Vertical Cutoff = 70°

DMG DASH ACCESSORIES

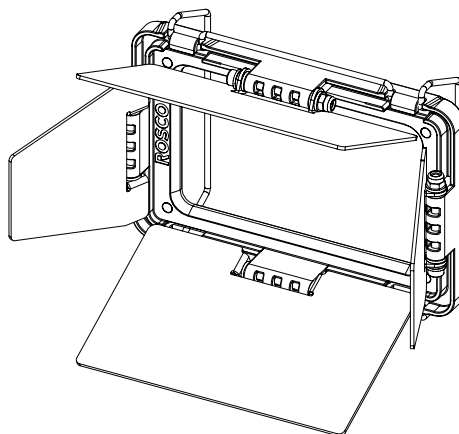


**DOT Round Diffuser Accessory**

Item Number: 29822500A111  
Includes Velvet Bag

The DMG Lumiere Round DOT Diffuser for DASH LED Light is a half-globe modifier that mounts in a second via magnets onto the front of the DMG DASH LED fixture, changing the light quality from the rectangular DASH into a glowing circle of light. Uses include creating eye light, adding a bit of color to a tabletop shot, and as an on-screen practical. The DOT is made of collapsible silicone and packs neatly into its included bag.

Please note: it is recommended to keep the DOT out of direct sunlight or UV exposure for a prolonged time to keep its color integrity.



**Barn Doors Accessory**

Item Number: 29822500A115

The four-leaf barn doors accessory quickly attaches to the front of a single DMG DASH via magnets to shape and direct the fixture's light output. Comprised of a polycarbonate frame with stainless steel leaves, the barn doors accessory also features elastic straps for additional security.



**SNAPBAG® for DMG DASH Quad Kit**

Item Number: 29822500A113

A softbox, designed by DoPchoice, for the DMG DASH Quad Kit that uses elastic straps to easily mount onto four DASH fixtures when linked in the quad configuration. The SNAPBAG is manufactured using a neutral, black fabric with a reflective interior and a MAGIC CLOTH® diffuser panel.



## myMIX® MOBILE APP

Download the free myMIX mobile app: [www.rosco.com/myMIX](http://www.rosco.com/myMIX)

iOS

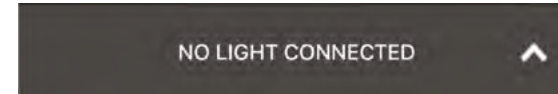


Android

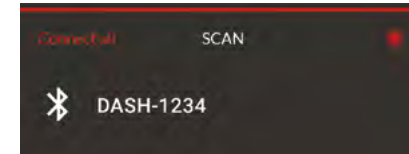


Connect your DMG DASH

1. Sign into your app and press "No Light Connected" to get started.

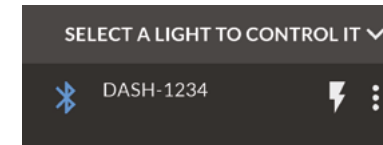


2. Press SCAN

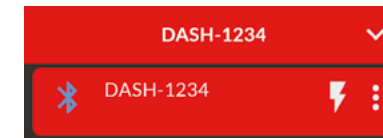


3. Tap on DASH to connect to it.

DASH will not be visible if another device is connected to it. The current user can disconnect by pressing the 3 dots and choosing "Disconnect", or by pressing and holding the DASH name.

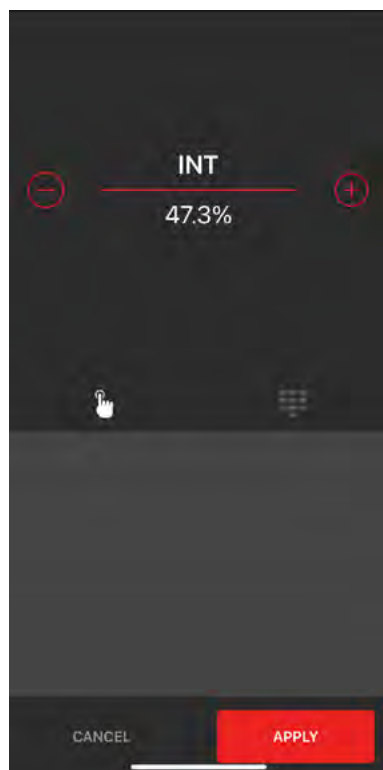


4. Tap it again to enter live mode.

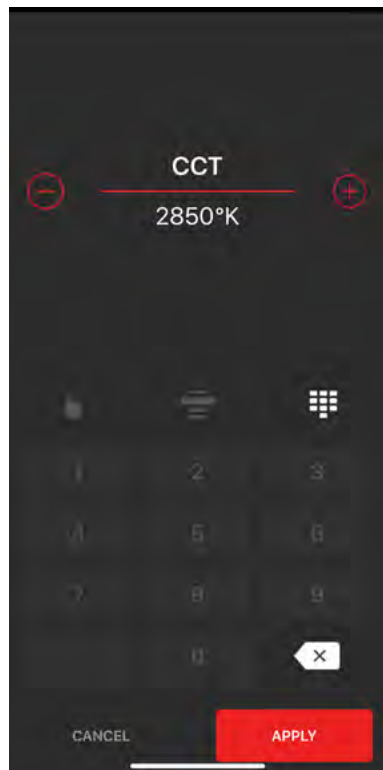


myMIX® MOBILE APP (CONTINUED)

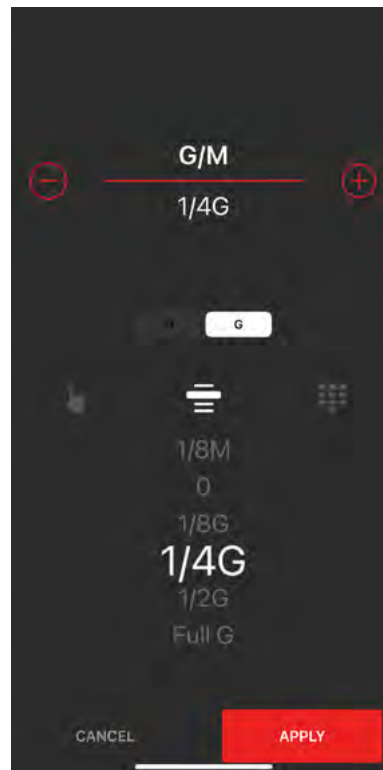
Select the mode:  
WHITE/GEL/COLOR/EFFECTS/SOURCE MATCH/XY



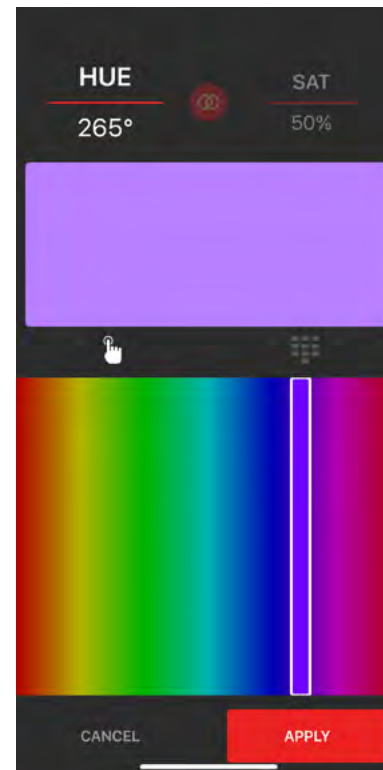
Sensitive touchpad to change values.



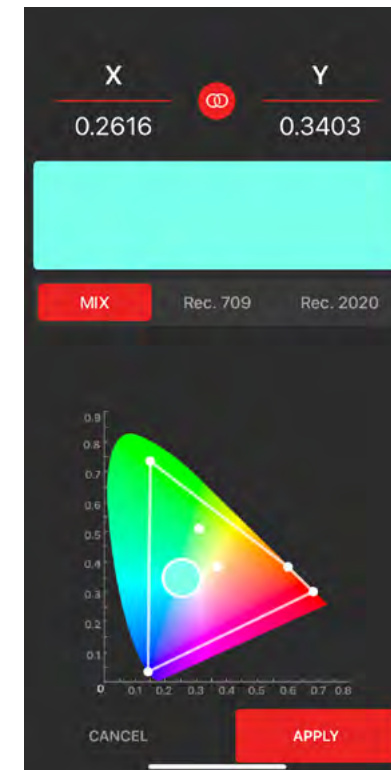
Type in values with the keyboard.



Scroll through presets.



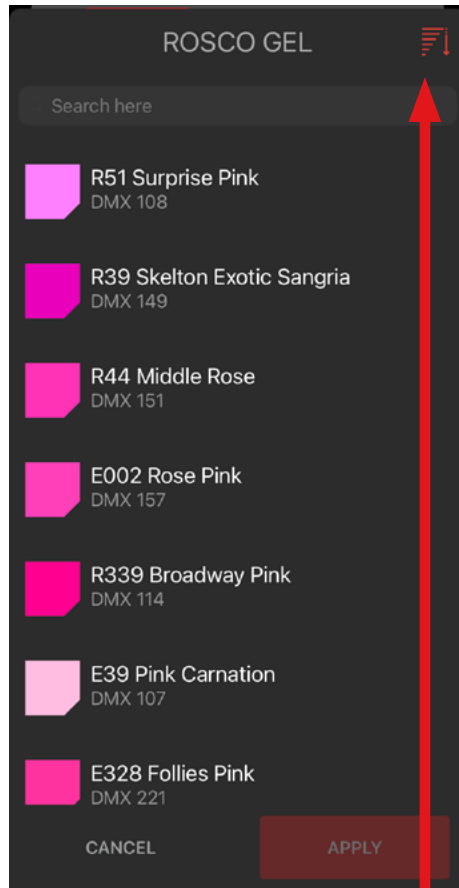
In Color Mode, use the touchpad for HUE & SAT.



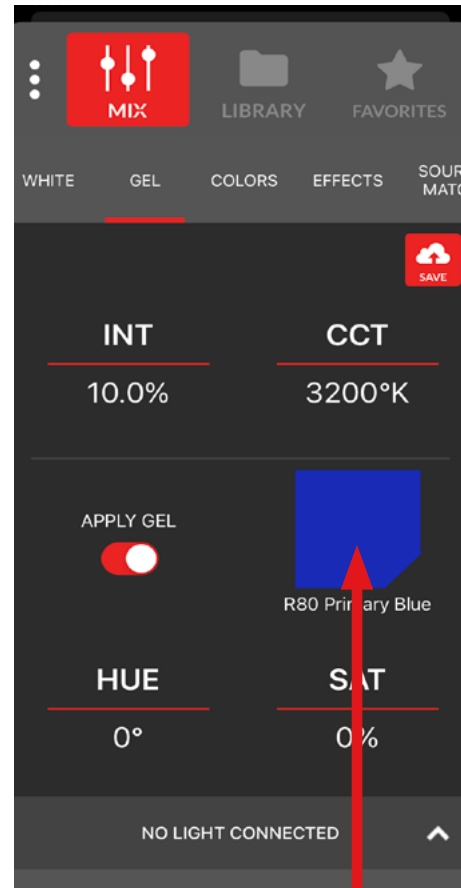
You can select 3 color spaces in the xy mode: MIX (biggest space possible), REC709 and REC2020.

myMIX® MOBILE APP (CONTINUED)

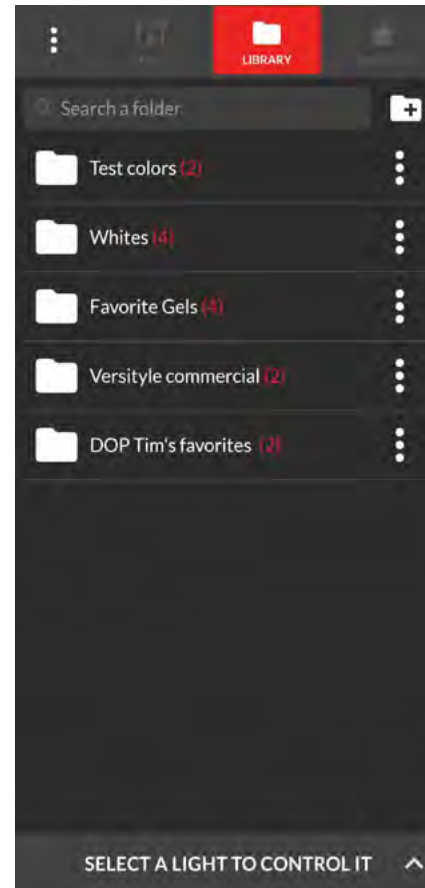
GEL MODE



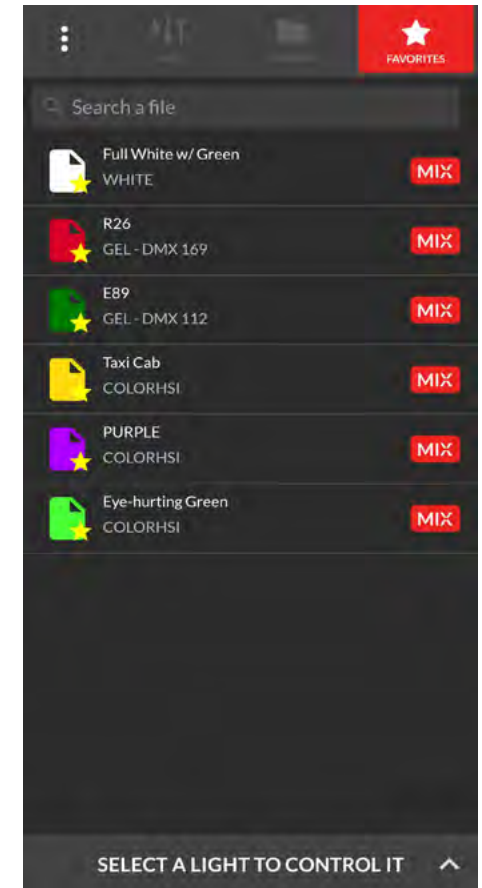
Tap here to sort the gel list by Name, Color, or Number. Tap on the desired gel color, then tap the APPLY button.



Tap here to access the library of True Rosco Color™ gel matches.



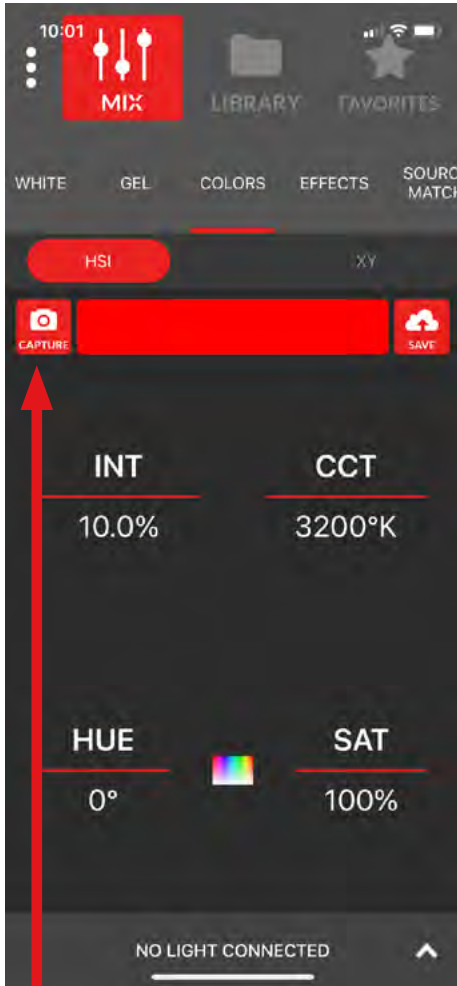
Create folders to organize colors.



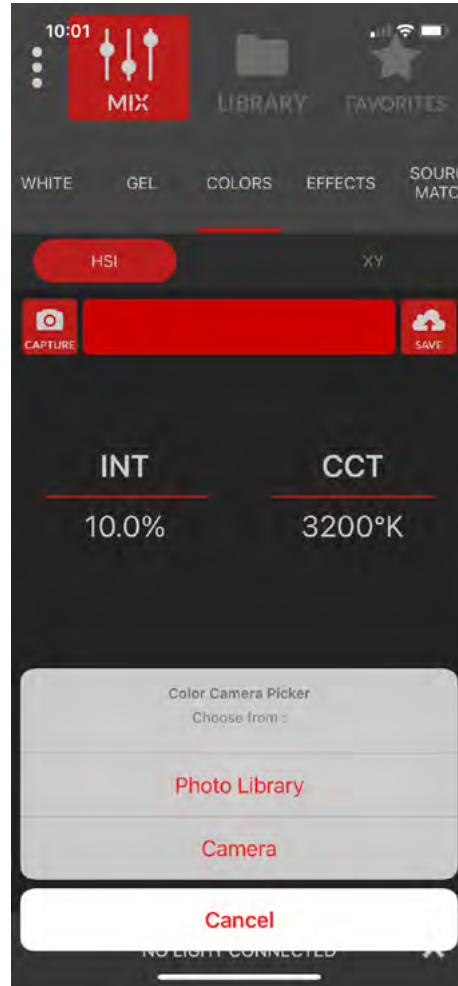
Favorite the most used colors for quick access.

MYMIX® MOBILE APP (CONTINUED)

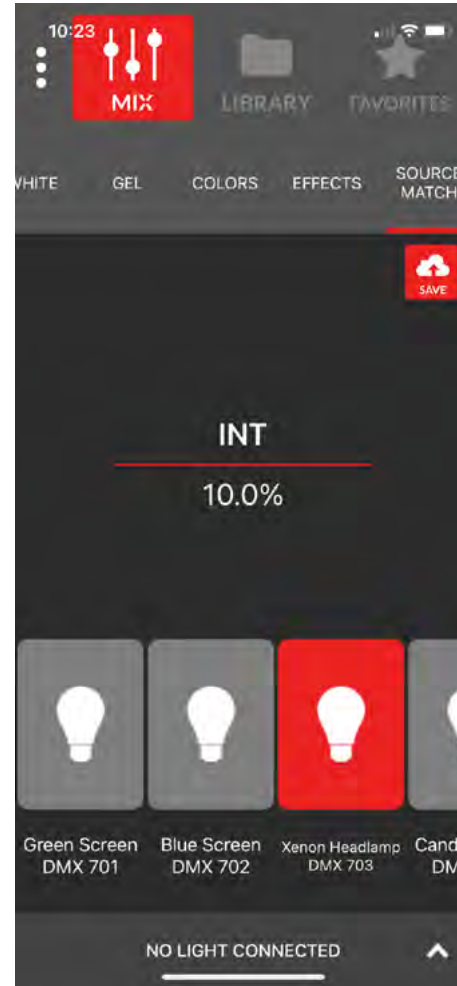
CAPTURE FEATURE, SOURCE MATCH MODE AND EFFECTS MODE



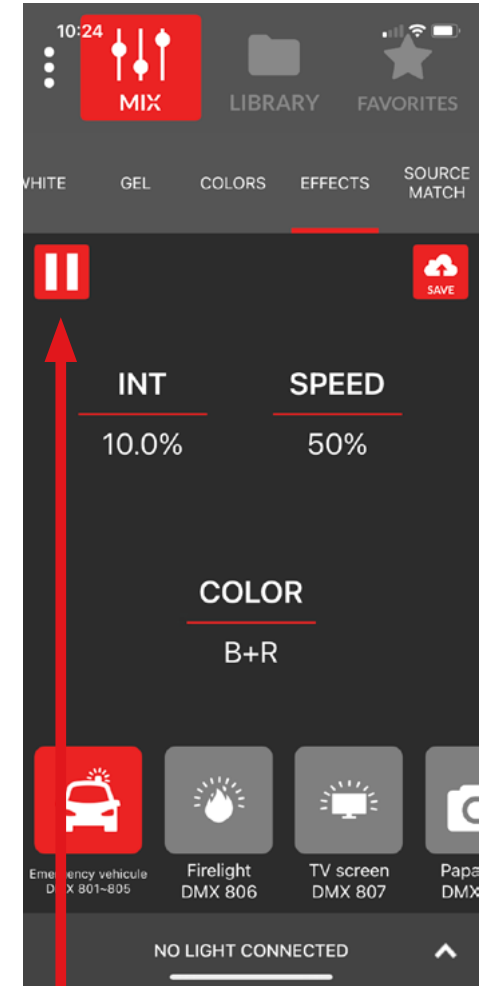
Tap here to access the CAPTURE feature inside Color Mode.



Choose an image from the device's photo library or take a new photo. Tap on the desired area/color of the photo, then tap APPLY.



Source Match Mode: Select the desired source, then adjust the intensity.

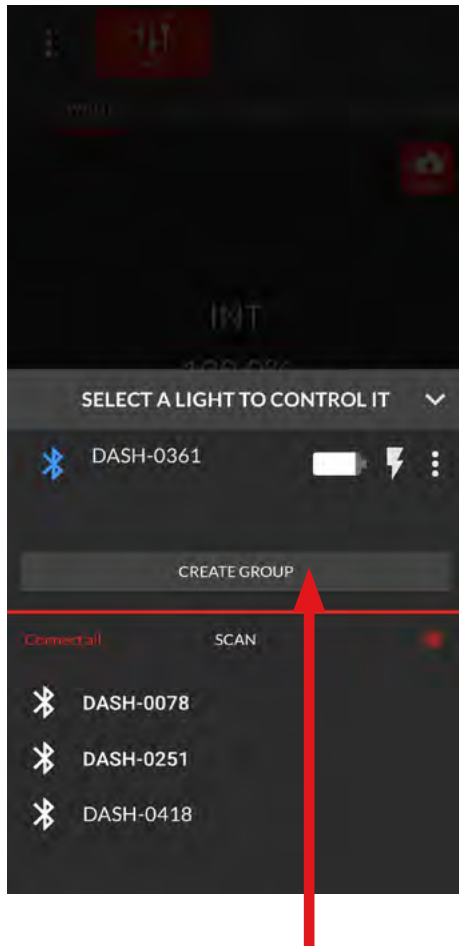


Effects Mode: Tap the PLAY button, then tap on the desired effect. Then modify the attributes of the effect as needed.

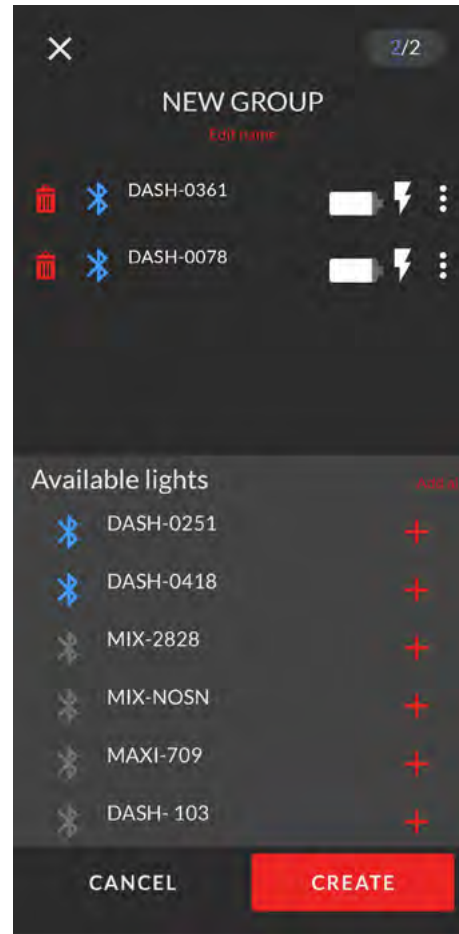
MYMIX® MOBILE APP (CONTINUED)

GROUPING MIX AND DMG DASH FIXTURES

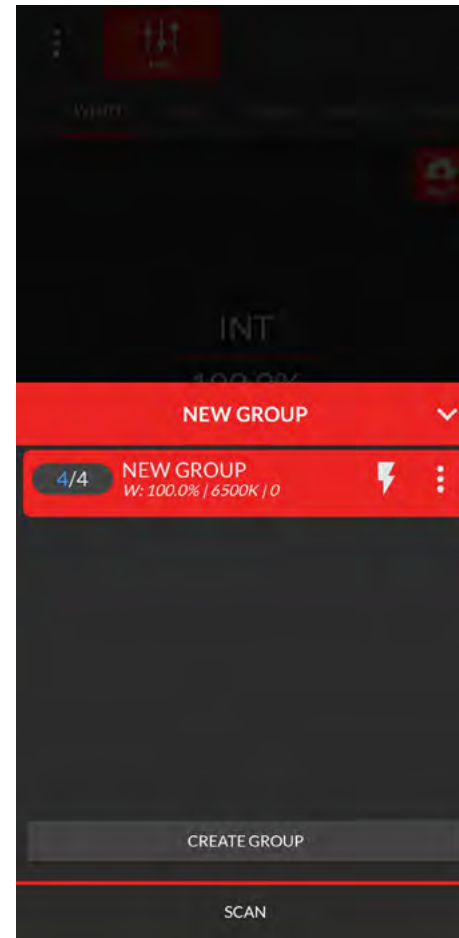
To control several lights together you must create a group:



Tap here to create a group of MIX and/or DASH lights.



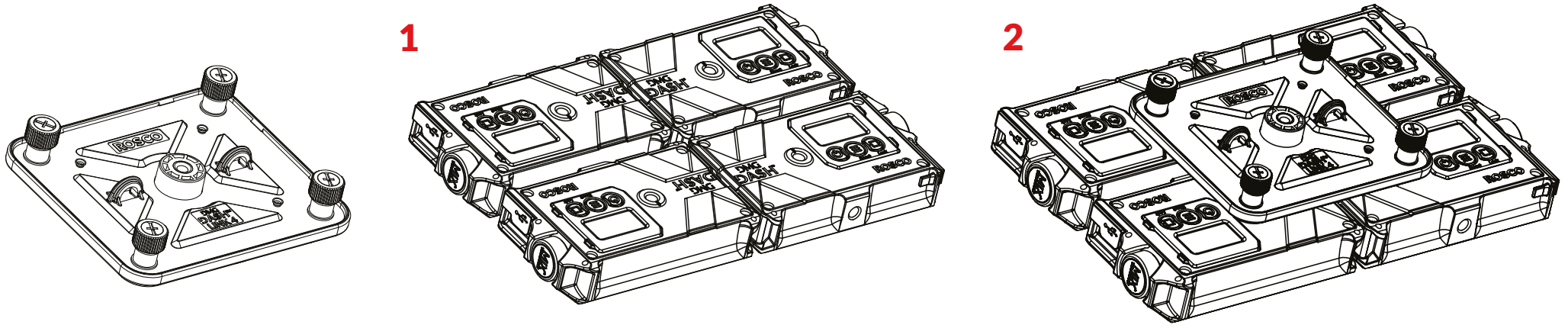
Tap the "+" symbol next to the desired light to add it to the group.



Check that every light in the group is connected.

## DMG DASH LINK ASSEMBLY

ASSEMBLING THE DMG DASH LIGHTS USING THE DMG DASH LINK



1. Place the four DMG DASH fixtures from the Quad Kit face down in the following configuration:

- Two units on the right – right side up
- Two units on the left – upside down

2. Align the DMG DASH LINK so that the thumbscrews are aligned with the ¼-20 threads on the back of the four DMG DASH fixtures.

3. Insert the thumbscrews into the fixtures with a ¼-turn clockwise.

## DMG DASH FIRMWARE UPDATES

- Most firmware updates can be delivered to the DMG DASH via the myMIX app.
- If there is a firmware update available for DMG DASH, myMIX will send out a push notification about the update.
- Before beginning the update process, please make sure your mobile device has an ample charge or is connected to a power source, and that it's connected via Bluetooth®.
- Multiple DMG DASH fixtures can be updated at the same time. It is not recommended to update more than four units at a time.
- Updating the firmware on 1–4 DMG DASH fixtures will typically take between 30 to 40 minutes.
- During the update process, please make sure your mobile device remains as close as possible to the DMG DASH fixtures receiving the firmware updates.

## 2-YEAR LIMITED WARRANTY

Rosco Laboratories warrants to the first retail purchaser that this Product will be free from defects in workmanship and material for a period of twenty four (24) months for the fixture and twelve (12) months for the battery from the date of original purchase.

For warranty service you must be able to provide proof of purchase. Should this Product prove defective during the warranty period, please contact your local Rosco office for Return Authorization. No warranty service will be performed without Return Authorization.

At Rosco's sole discretion, covered Products will be repaired or replaced with new or refurbished equipment or a model of like kind and quality. Exchanged or replaced parts and Products assume the remaining warranty period of the original product covered by this limited warranty. You are responsible for securely packaging the defective Product and returning it to Rosco as per the instructions of the Return Authorization. Within North America, Rosco will ship the repaired or replaced Product to you freight prepaid. Shipments to other locations will be made freight collect. This warranty is non-transferable and does not extend beyond the first retail purchase of the Product.

This warranty does not cover damage to the Rosco Product caused by parts not manufactured, distributed or certified by Rosco.

Rosco is not obligated to provide warranty service should the Product fail to be properly maintained or fail to function properly as a result of misuse, abuse, improper installation, neglect, improper shipping, damage caused by disasters such as flood, fire and lightning, improper electrical current or unauthorized service repairs other than those by a Rosco Authorized Servicer.

If a claimed defect cannot be identified or reproduced, you will be held responsible for the costs incurred. Unless otherwise stipulated by state law, all warranties expressed or implied are limited to the twenty four (24) month period (twelve (12) month period for battery) of this warranty.

THE WARRANTY AND REMEDY PROVIDED ABOVE ARE EXCLUSIVE AND IN LIEU OF ALL OTHER EXPRESS OR IMPLIED WARRANTIES INCLUDING BUT NOT LIMITED TO THE IMPLIED WARRANTIES OF MERCHANTABILITY, NON-INFRINGEMENT OR FITNESS FOR A PARTICULAR PURPOSE. EXCEPT AS PROVIDED IN THIS WRITTEN WARRANTY AND UNLESS EXCLUSIONS ARE SPECIFICALLY FORBIDDEN BY STATE LAW, NEITHER ROSCO NOR ITS AFFILIATES WILL BE LIABLE FOR ANY LOSS, INCONVENIENCE, OR DAMAGE, INCLUDING DIRECT, SPECIAL, INCIDENTAL OR CONSEQUENTIAL DAMAGES, INCLUDING INJURY TO PERSONS OR PROPERTY, RESULTING FROM THE USE OR INABILITY TO USE THE ROSCO PRODUCT, WHETHER RESULTING FROM BREACH OF WARRANTY OR ANY OTHER LEGAL THEORY.